

## New Product Update & Parts Information

Bulletin	UK	Export	Issued
1493	YES	YES	25/06/2024

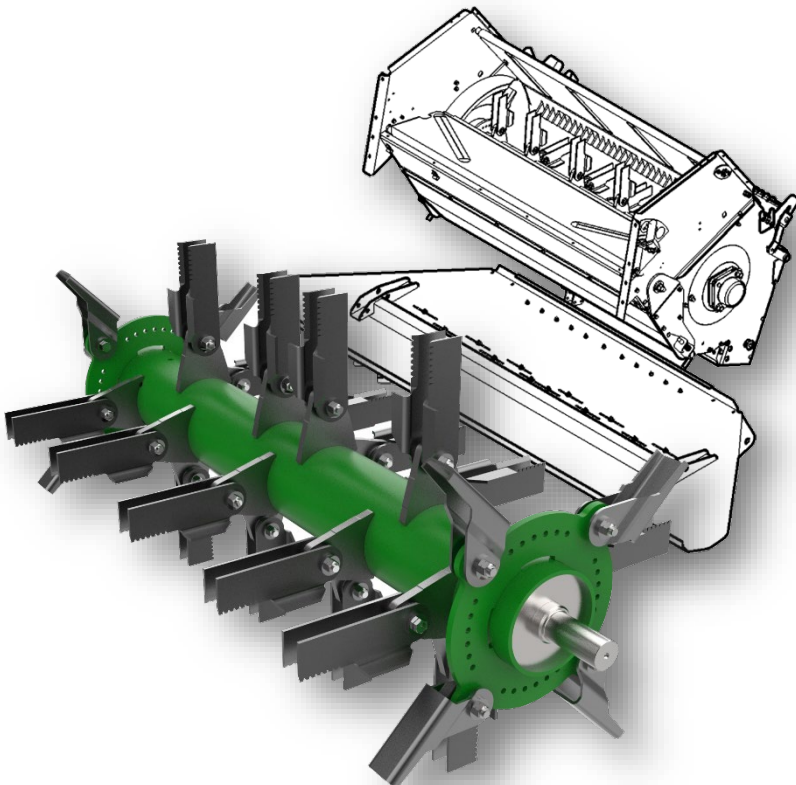
### Straw chopper essentials for a sharp season

Maximise your machine's output with high quality, consistent chop length, keeping operations running smoothly and efficiently.

Use Vapormatic replacement parts, suitable for Standard, Fine-cut or Extra fine-cut chopper units. With a comprehensive range available especially for John Deere 9000, T, W walker combines and S series rotary combines as well as older machines.

#### Replacing worn/ damaged knives :

- ✓ Reduces fuel consumption
- ✓ Maintains consistent crop length
- ✓ Reduces engine power demand
- ✓ Achieves greater combine performance
- ✓ Reduces blockages and stoppage mid-combine



#### Top service points to check:

##### Missing, damaged or bent knives

Replace opposite knife at the same time to maintain correct rotor balance.

##### Check counter / stationary knives.

Important for consistent chop length. Efficient chopping, lowering power consumption.

##### Worn or damaged bushes or bolts

Integral for correct performance of knives. Preventing further breakages & rotor balance.

## New Product Update & Parts Information

Bulletin	UK	Export	Issued
1493	YES	YES	25/06/2024

	Part No	Description	Photo	Applications
W & T series	<a href="#">VLH6511</a> OE ref: Z53454	<b>Smooth straight knife</b> Double hardened, plain (10pk) Length 173 mm Width 50 mm Thickness 4 mm Hole size 18.1 mm		1170, 1470, 1570, 2054, 2056, 2058, 2254, 2256, 2258, 2264, 2266, 2266EXTRA, 9540iWTS, 9540WTS, 9560iWTS, 9560WTS, 9580iWTS, 9580WTS, 9640iWTS, 9640WTS, 9660iWTS, 9660WTS, 9680iWTS, 9680WTS, 9780CTS, 9780iCTS, CTS, CTS II, T550, T560, T660, T670, W540, W550, W650, W660.
	<a href="#">VLH6521</a> OE ref: Z105500	<b>Serrated straight knife</b> Double hardened, plain (10pk) Length 175 mm Width 50 mm Thickness 5 mm Hole size 20.2 mm		9540iWTS, 9540WTS, 9560iWTS, 9560WTS, 9580iWTS, 9580WTS, 9640iWTS, 9640WTS, 9660iWTS, 9660WTS, 9680iWTS, 9680WTS, 9780CTS, 9780iCTS, C670, T550, T560, T660, T670, W540, W550, W650, W660.
	<a href="#">VLH6517</a> OE ref: HXE13023	<b>Counter Knife (20pk)</b> Length 198.5 mm Width 50 mm Thickness 3 mm Hole size 6 mm		9540iWTS, 9540WTS, 9560iWTS, 9560WTS, 9580iWTS, 9580WTS, 9640iWTS, 9640WTS, 9660iWTS, 9660WTS, 9680iWTS, 9680WTS, 9780CTS, 9780iCTS, C670, T550, T560, T660, T670, W540, W550, W650, W660.
S series	<a href="#">VLH6573</a> OE ref: KXE10256	<b>Serrated straight knife</b> Double hardened, plain (8pk) Length 190 mm Width 50 mm Thickness 4.4 mm Hole size 19 mm		S650, S660, S670, S670 HM, S680, S680 HM, S685, S685 HM, S690, S690 HM, S760, S770, S780, S785, S790.
	<a href="#">VLH6522</a> OE ref: KXE10363	<b>Serrated winged knife</b> Black coated, plain (8pk) Length 198.5 mm Width 50 mm Thickness 3 mm Hole size 6 mm		S660, S670, S670 HM, S680, S680 HM, S685, S685 HM, S690, S690 HM, S760, S770, S780, S785, S790.
X & S series	<a href="#">VLH6519</a> OE ref: H215004	<b>Counter knife (10pk)</b> Length 190 mm Width 50.8 mm Thickness 3.2 mm Hole size 12 mm		S660, S670, S670 HM, S680, S680 HM, S685, S685 HM, S690, S690 HM, S760, S770, S780, S785, S790, X9 1000, X9 1100

Associated replacement bushes and bolts are also available – [CLICK HERE](#) to view all new product for John Deere

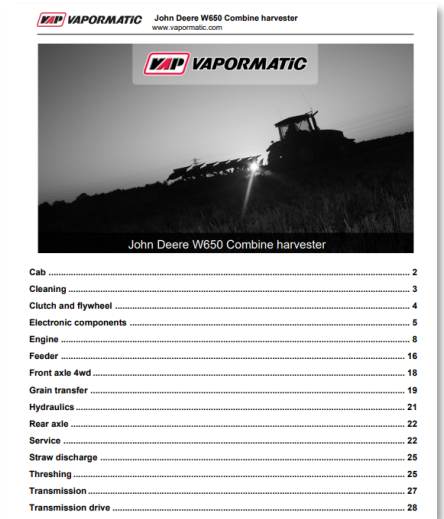
# New Product Update & Parts Information

Bulletin	UK	Export	Issued
1493	YES	YES	25/06/2024

## Remember you can also:

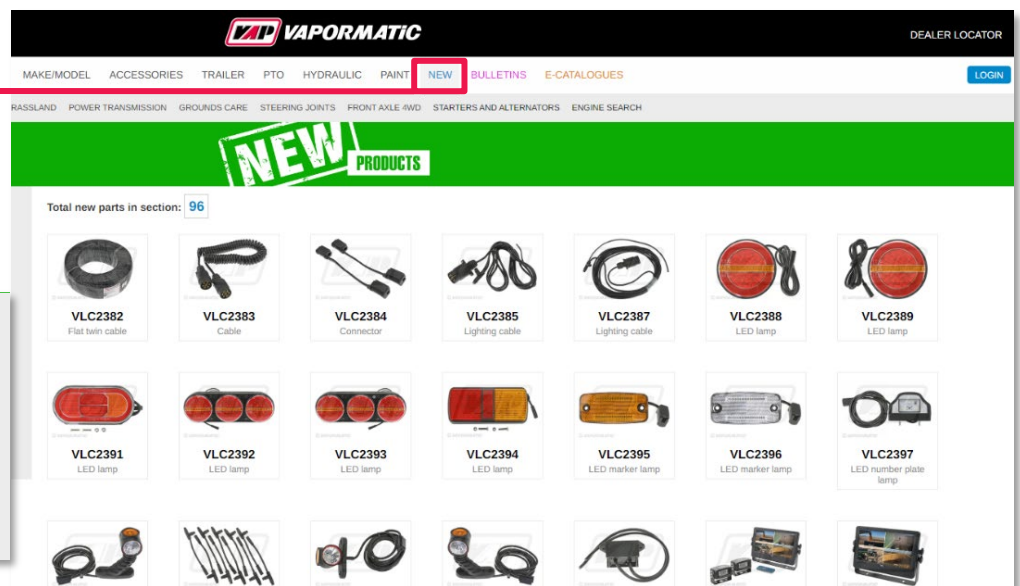
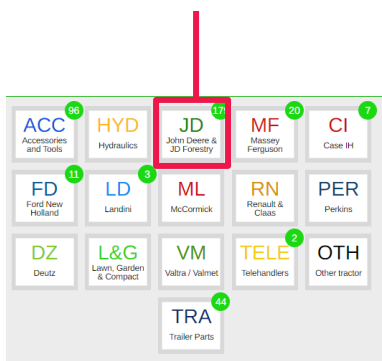
### Generate your own catalogue of Vapormatic parts

1. Click on MAKE/MODEL
2. Select Make and Machine type
3. Click Generate Catalogue
4. Enter email address
5. Check your inbox



### See all the latest parts in the NEW section of the website

1. Click on [NEW](#)
2. Filter by make if desired



All Vapormatic quality replacement parts carry an industry leading **12 month parts and labour warranty**. For further information on specific items please visit [www.vapormatic.com](http://www.vapormatic.com)

Original equipment manufacturers names and part numbers are quoted for reference purposes only and are not intended to suggest that our replacement parts are made by the original equipment manufacturer